

REV.	DESCRIPTION	DATE	NAME
B	CHANGE TO GONDOLE. AND SIDE PANEL BRACKET POSITION	27/06/2018	DR
A	INITIAL DRAWING RELEASE.		
REVISION TABLE			

**global display**  
 Global Display  
 Globe House  
 84-88 High Street South  
 Dunstable  
 LU6 3HD  
 United Kingdom

T: +44 (0)1582 676350  
 E: info@global-display.co

[www.global-display.co](http://www.global-display.co)

Copyright Global Display Projects Limited 2016. This drawing and design is Copyright protected and remains the sole property of Global Display Projects Limited. No information contained within this document is to be copied, loaned, disclosed or communicated to any third part without written consent. This drawing conforms to UK BS8888.

Unless otherwise specified: Dimensions are in millimetres.  
 Tolerances- Linear: '0' +/-1mm, '0.0' +/-0.5mm, '0.00' +/-0.05mm.  
 Angular: '0' +/-0.5 degree, '0.0' +/-0.25 degree.

SHEET SIZE: A4    SCALE: NTS    DRAWN: KLH    DATE: 19.06.2018    APPROX WEIGHT: 94.607 Kg

GENERAL TOLERANCES  
 IN ACCORDANCE WITH  
 ISO 2678-M



DO NOT SCALE DRAWING

MATERIAL:  
 See Parts

FINISH:  
 See Parts

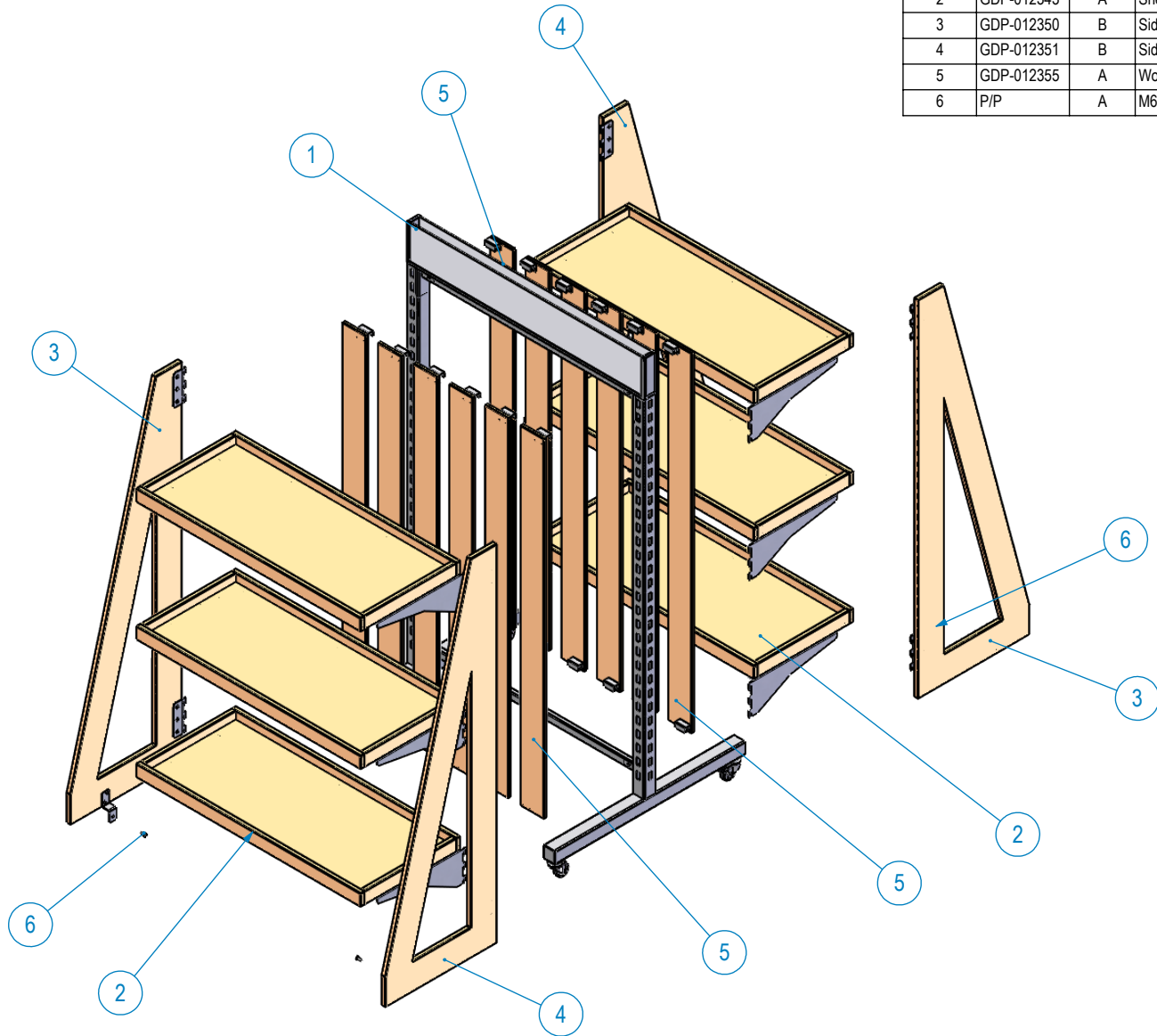
TITLE:  
**GA-GON-003 - Gondola 1c Assembly**

DWG NO.  
 GDP-012342

Sheet 1 of 2


Revision  
 B

Item No.	Part No	Revision	Description	Material	Finish	Qty.
1	GDP-012126	D	GA-GON-STD - Standard Gondola GA	See Parts	See Parts	1
2	GDP-012343	A	Shelf Assembly	See Parts	See Parts	6
3	GDP-012350	B	Side Panel Assembly LH	See Parts	See Parts	2
4	GDP-012351	B	Side Panel Assembly RH	See Parts	See Parts	2
5	GDP-012355	A	Wooden Back Panel Assembly	See Parts	See Parts	12
6	P/P	A	M6x12 Pan Head Machine Screw BZP	High Tensile Steel 8.8		4



**global display**  
 Global Display  
 Globe House  
 84-88 High Street South  
 Dunstable  
 LU6 3HD  
 United Kingdom  
 T: +44 (0)1582 676350  
 E: info@global-display.co  
 www.global-display.co

Copyright Global Display Projects Limited 2016. This drawing and design is Copyright protected and remains the sole property of Global Display Projects Limited. No information contained within this document is to be copied, loaned, disclosed or communicated to any third part without written consent. This drawing conforms to UK BS8888.  
 Unless otherwise specified: Dimensions are in millimetres.  
 Tolerances- Linear: '0' +/-1mm, '0.0' +/-0.5mm, '0.00' +/-0.05mm.  
 Angular: '0' +/-0.5 degree, '0.0' +/-0.25 degree.

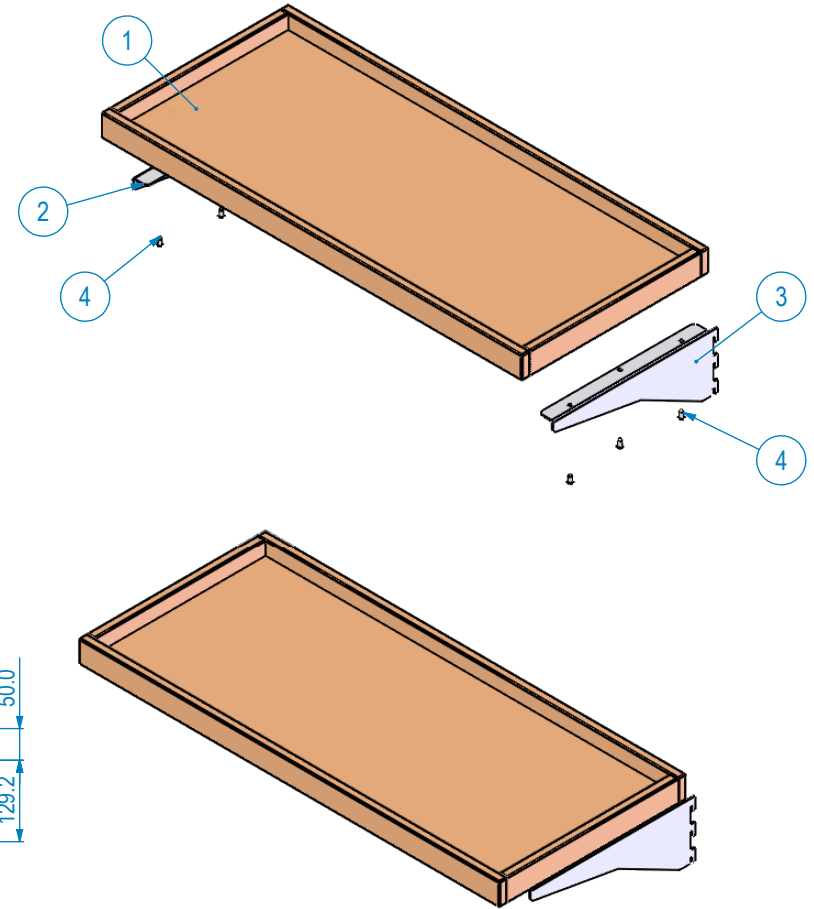
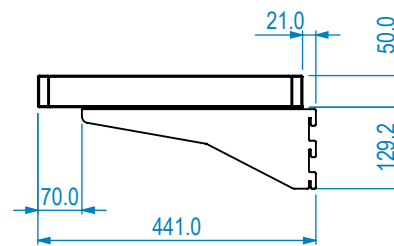
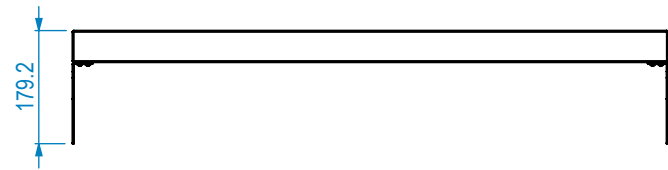
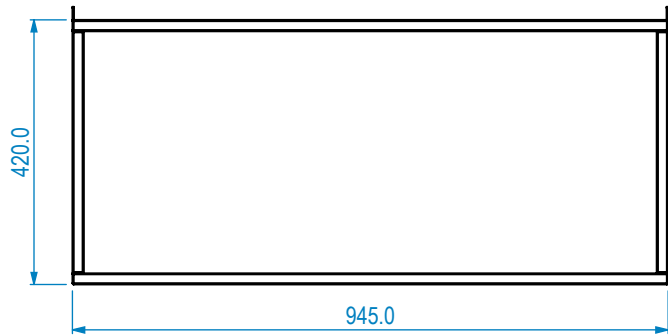
GENERAL TOLERANCES  
 IN ACCORDANCE WITH  
 ISO 2678-M  
  
 DO NOT SCALE DRAWING

MATERIAL:  
**See Parts**  
 FINISH:  
**See Parts**  
 TITLE:  
**GA-GON-003 - Gondola 1c Assembly**  
 DWG NO.  
**GDP-012342**  
 Revision  
**B**

SHEET SIZE: **A4** SCALE: **NTS** DRAWN: **KLH** DATE: **19.06.2018** APPROX WEIGHT: **94.607 Kg**

**Sheet2 of 2**

Item No.	Part No	Revision	Description	Material	Finish	Qty.
1	GDP-012344	A	Wooden Shelf Assembly	See Parts	See Parts	1
2	GDP-012348	A	Shelf Bracket LH	Mild Steel Q235	EPC RAL9006	1
3	GDP-012349	A	Shelf Bracket RH	Mild Steel Q235	EPC RAL9006	1
4	P/P		No.8 x 9.5mm Pozi Pan Hd Self Tapping Screw (Type AB)			6



**global display**  
 Global Display  
 Globe House  
 84-88 High Street South  
 Dunstable  
 LU6 3HD  
 United Kingdom

T: +44 (0)1582 676350  
 E: info@global-display.co

www.global-display.co

Copyright Global Display Projects Limited 2016. This drawing and design is Copyright protected and remains the sole property of Global Display Projects Limited. No information contained within this document is to be copied, loaned, disclosed or communicated to any third party without written consent. This drawing conforms to UK BS8888.

Unless otherwise specified: Dimensions are in millimetres.  
 Tolerances- Linear: '0' +/-1mm, '0.0' +/-0.5mm, '0.00' +/-0.05mm.  
 Angular: '0' +/-0.5 degree, '0.0' +/-0.25 degree.

GENERAL TOLERANCES  
 IN ACCORDANCE WITH  
 ISO 2678-M



DO NOT SCALE DRAWING

MATERIAL:  
 See Parts

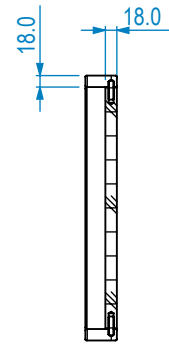
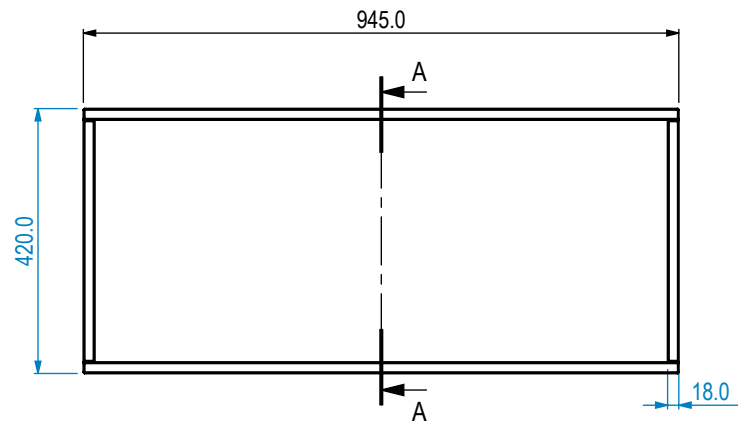
FINISH:  
 See Parts

TITLE:  
 Shelf Assembly

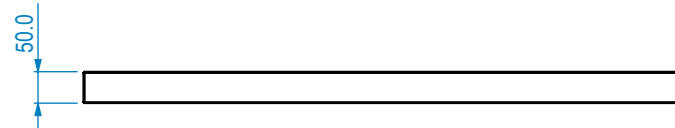
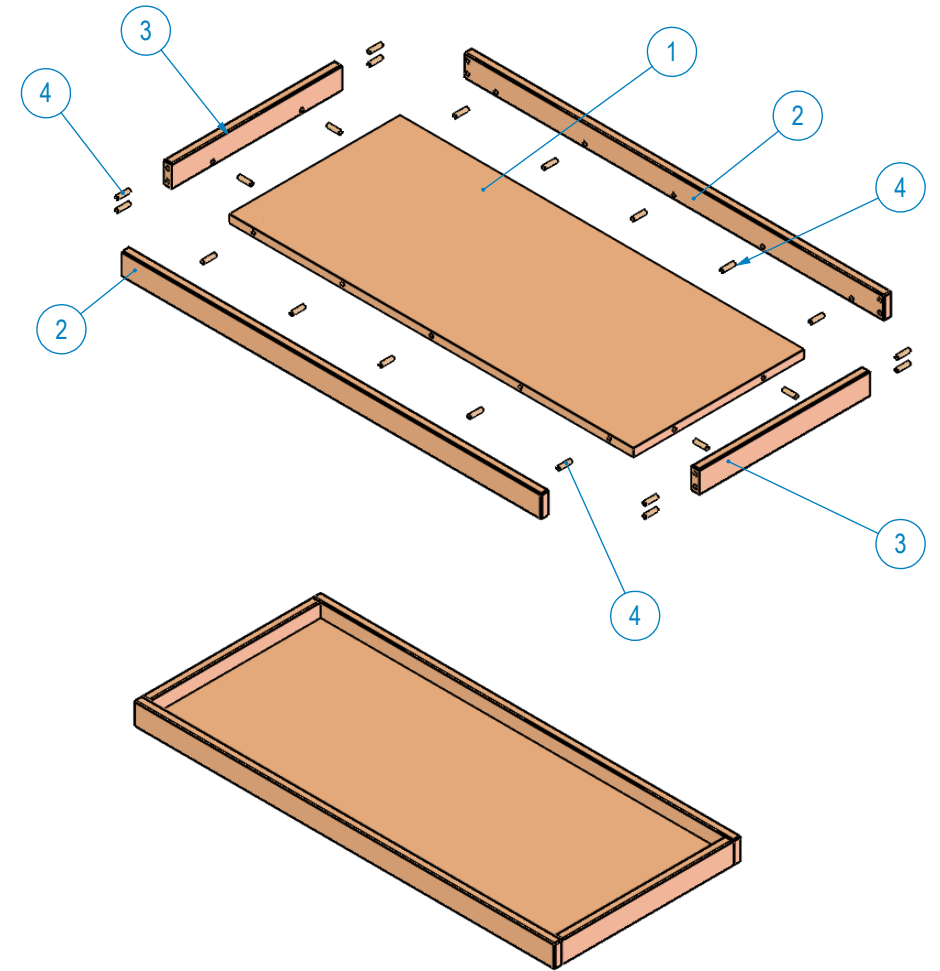
REV.	DESCRIPTION	DATE	NAME
A	INITIAL DRAWING RELEASE.		
REVISION TABLE			

SHEET SIZE: A4	SCALE: NTS	DRAWN: KLH	DATE: 19.06.2018	APPROX WEIGHT: 7.442 Kg	Sheet1 of 1	DWG NO. GDP-012343	Revision A
----------------	------------	------------	------------------	-------------------------	-------------	--------------------	------------

Item No.	Part No	Revision	Description	Material	Finish	Qty.
1	GDP-012345	A	Shelf Base	MF MDF - E1	DUHOSPAN HB405	1
2	GDP-012346	A	Shelf Front	MF MDF - E1	DUHOSPAN HB405 - Edging to match	2
3	GDP-012347	A	Shelf Sides	MF MDF - E1	DUHOSPAN HB405 - Edging to match	2
4	P/P	A	Ø8mm x 30mm Wooden Dowel - Hafele 006.93.238	Hardwood	RAW	22



SECTION A-A



**global display**  
 Global Display  
 Globe House  
 84-88 High Street South  
 Dunstable  
 LU6 3HD  
 United Kingdom

T: +44 (0)1582 676350  
 E: info@global-display.co

www.global-display.co

Copyright Global Display Projects Limited 2016. This drawing and design is Copyright protected and remains the sole property of Global Display Projects Limited. No information contained within this document is to be copied, loaned, disclosed or communicated to any third party without written consent. This drawing conforms to UK BS8888.

Unless otherwise specified: Dimensions are in millimetres.  
 Tolerances: Linear: '0' +/-1mm, '0.0' +/-0.5mm, '0.00' +/-0.05mm.  
 Angular: '0' +/-0.5 degree, '0.0' +/-0.25 degree.

GENERAL TOLERANCES  
 IN ACCORDANCE WITH  
 ISO 2678-M

DO NOT SCALE DRAWING

MATERIAL:  
**See Parts**

FINISH:  
**See Parts**

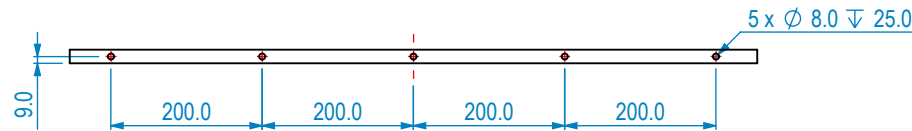
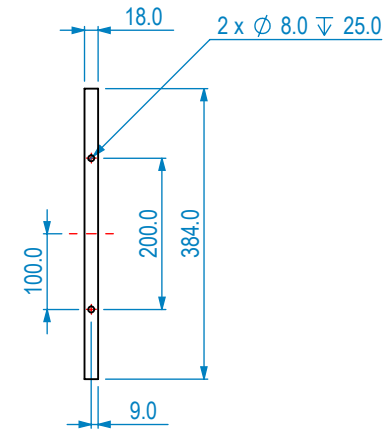
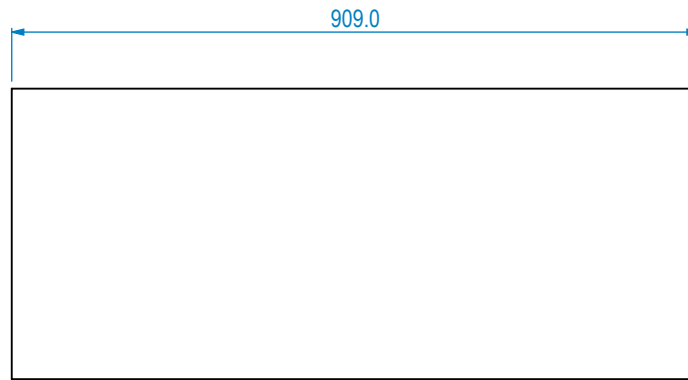
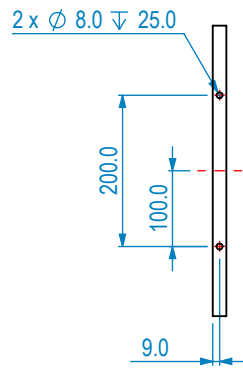
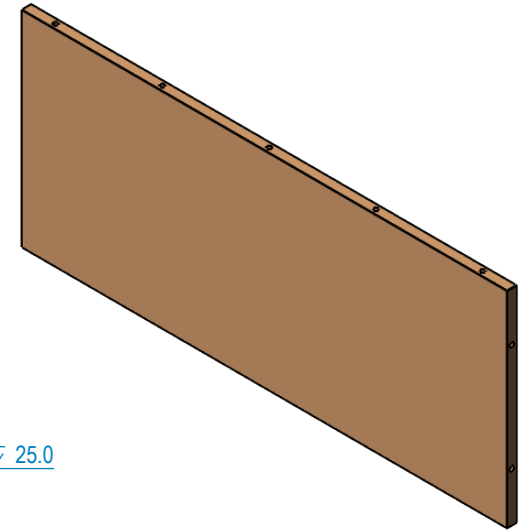
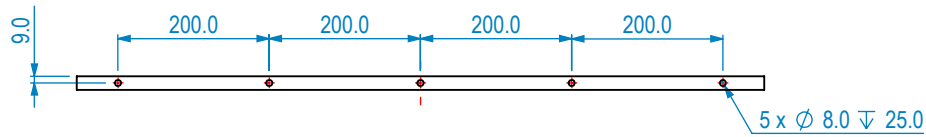
TITLE:  
**Wooden Shelf Assembly**

DWG NO.  
**GDP-012344**

Revision  
**A**

REV.	DESCRIPTION	DATE	NAME
A	INITIAL DRAWING RELEASE.		
REVISION TABLE			

SHEET SIZE: <b>A4</b>	SCALE: <b>NTS</b>	DRAWN: <b>KLH</b>	DATE: <b>19.06.2018</b>	APPROX WEIGHT: <b>6.057 Kg</b>	<b>Sheet 1 of 1</b>
-----------------------	-------------------	-------------------	-------------------------	--------------------------------	---------------------



**global display**  
 Global Display  
 Globe House  
 84-88 High Street South  
 Dunstable  
 LU6 3HD  
 United Kingdom

T: +44 (0)1582 676350  
 E: info@global-display.co

www.global-display.co

Copyright Global Display Projects Limited 2016. This drawing and design is Copyright protected and remains the sole property of Global Display Projects Limited. No information contained within this document is to be copied, loaned, disclosed or communicated to any third party without written consent. This drawing conforms to UK BS8888.

Unless otherwise specified: Dimensions are in millimetres.  
 Tolerances- Linear: '0' +/-1mm, '0.0' +/-0.5mm, '0.00' +/-0.05mm.  
 Angular: '0' +/-0.5 degree, '0.0' +/-0.25 degree.

GENERAL TOLERANCES  
 IN ACCORDANCE WITH  
 ISO 2678-M



DO NOT SCALE DRAWING

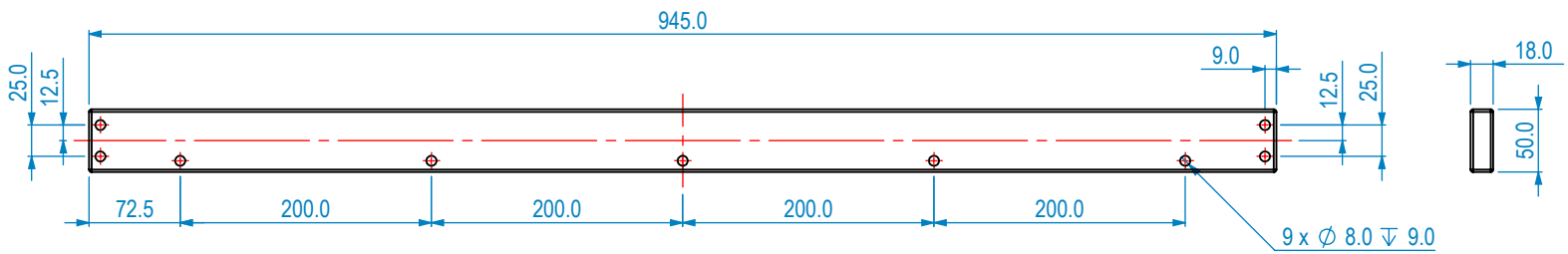
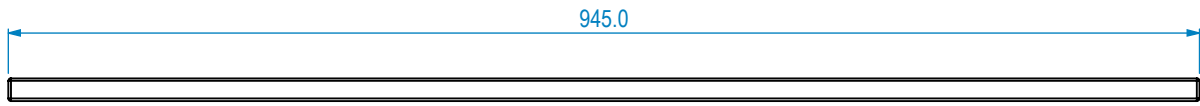
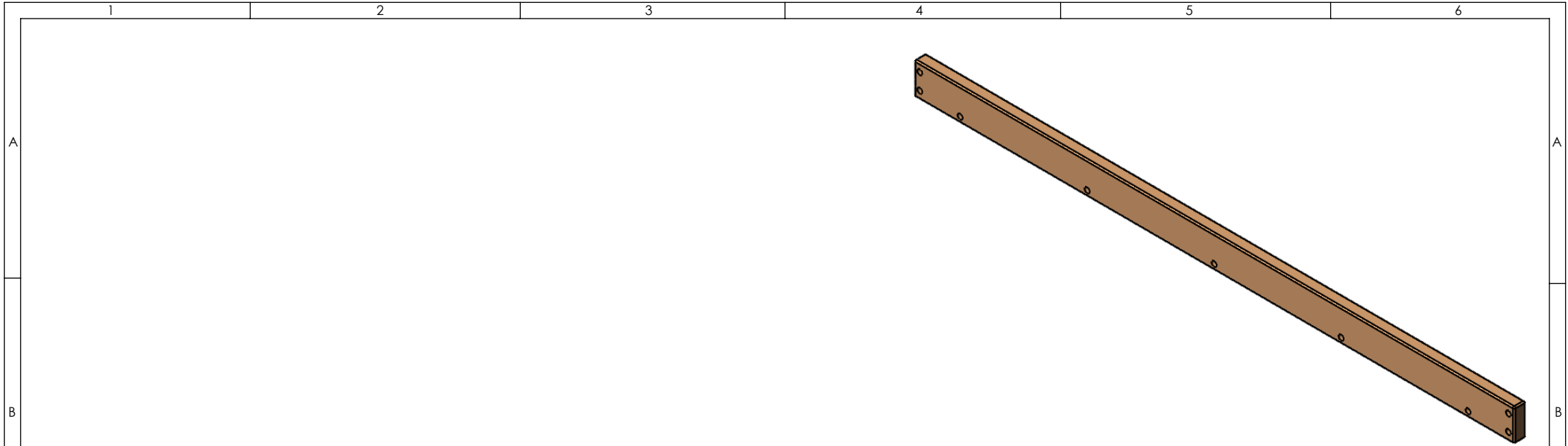
MATERIAL:  
 MF MDF - E1

FINISH:  
 DUHOSPAN HB405

TITLE:  
 Shelf Base

REV.	DESCRIPTION	DATE	NAME
A	INITIAL DRAWING RELEASE.		
REVISION TABLE			

SHEET SIZE: A4	SCALE: NTS	DRAWN: KLH	DATE: 19.06.2018	APPROX WEIGHT: 4.385 Kg	Sheet1 of 1	DWG NO. GDP-012345	Revision A
-------------------	---------------	---------------	---------------------	----------------------------	-------------	-----------------------	---------------



**global display**  
 Global Display  
 Globe House  
 84-88 High Street South  
 Dunstable  
 LU6 3HD  
 United Kingdom

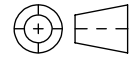
T: +44 (0)1582 676350  
 E: info@global-display.co

www.global-display.co

Copyright Global Display Projects Limited 2016. This drawing and design is Copyright protected and remains the sole property of Global Display Projects Limited. No information contained within this document is to be copied, loaned, disclosed or communicated to any third part without written consent. This drawing conforms to UK BS8888.

Unless otherwise specified: Dimensions are in millimetres.  
 Tolerances:- Linear: '0' +/-1mm, '0.0' +/-0.5mm, '0.00' +/-0.05mm.  
 Angular: '0' +/-0.5 degree, '0.0' +/-0.25 degree.

GENERAL TOLERANCES  
 IN ACCORDANCE WITH  
 ISO 2678-M



DO NOT SCALE DRAWING

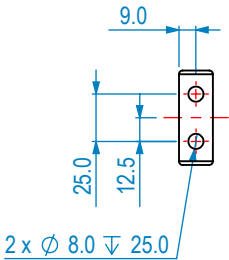
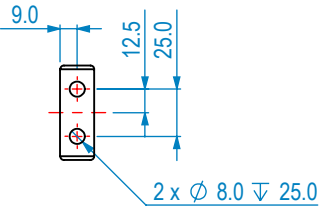
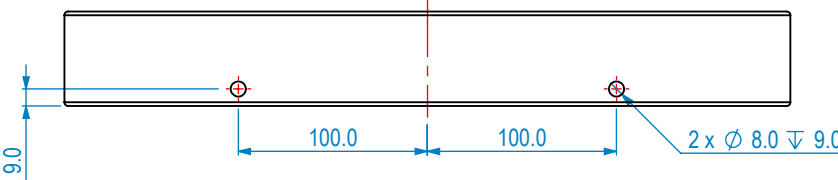
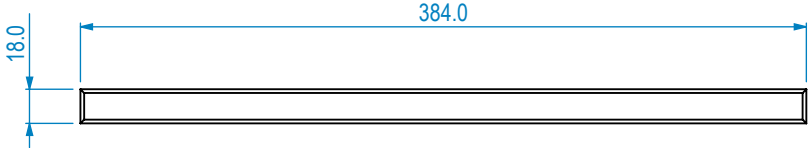
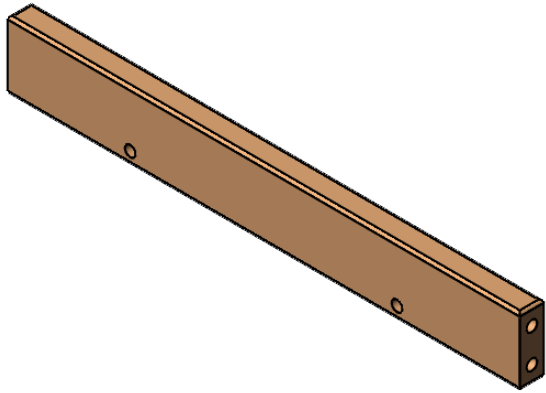
MATERIAL:  
**MF MDF - E1**

FINISH:  
**DUHOSPAN HB405 - Edging to match**

TITLE:  
**Shelf Front**

A	INITIAL DRAWING RELEASE.		
REV.	DESCRIPTION	DATE	NAME
REVISION TABLE			

SHEET SIZE: <b>A4</b>	SCALE: <b>NTS</b>	DRAWN: <b>KLH</b>	DATE: <b>19.06.2018</b>	APPROX WEIGHT: <b>0.590 Kg</b>	<b>Sheet 1 of 1</b>	DWG NO. <b>GDP-012346</b>	Revision <b>A</b>
--------------------------	----------------------	----------------------	----------------------------	-----------------------------------	---------------------	------------------------------	----------------------



**global display**  
 Global Display  
 Globe House  
 84-88 High Street South  
 Dunstable  
 LU6 3HD  
 United Kingdom

T: +44 (0)1582 676350  
 E: info@global-display.co

www.global-display.co

Copyright Global Display Projects Limited 2016. This drawing and design is Copyright protected and remains the sole property of Global Display Projects Limited. No information contained within this document is to be copied, loaned, disclosed or communicated to any third part without written consent. This drawing conforms to UK BS8888.

Unless otherwise specified: Dimensions are in millimetres.  
 Tolerances:- Linear: '0' +/-1mm, '0.0' +/-0.5mm, '0.00' +/-0.05mm.  
 Angular: '0' +/-0.5 degree, '0.0' +/-0.25 degree.

GENERAL TOLERANCES  
 IN ACCORDANCE WITH  
 ISO 2678-M



DO NOT SCALE DRAWING

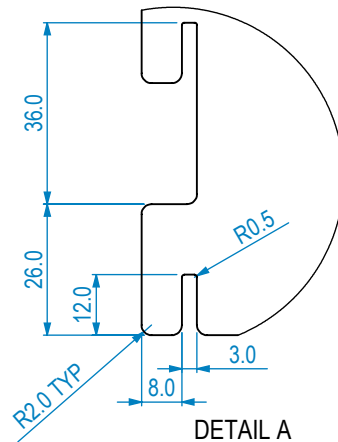
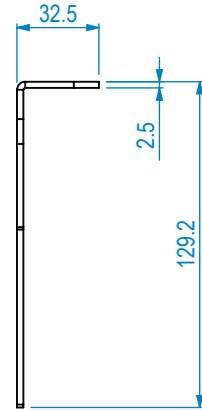
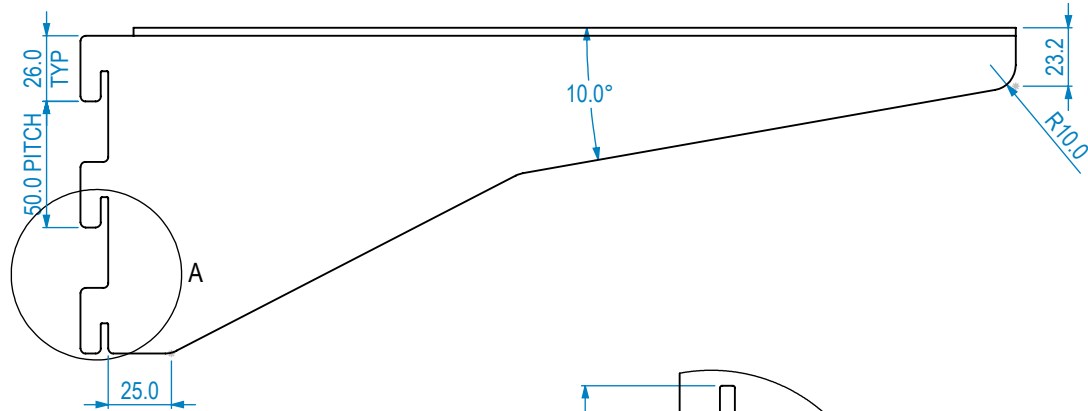
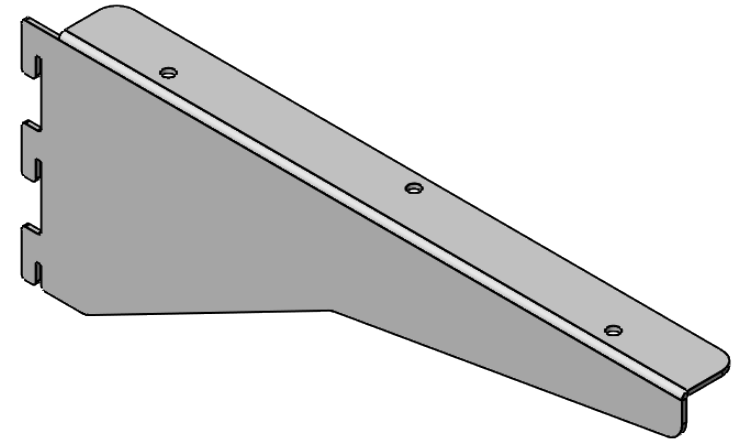
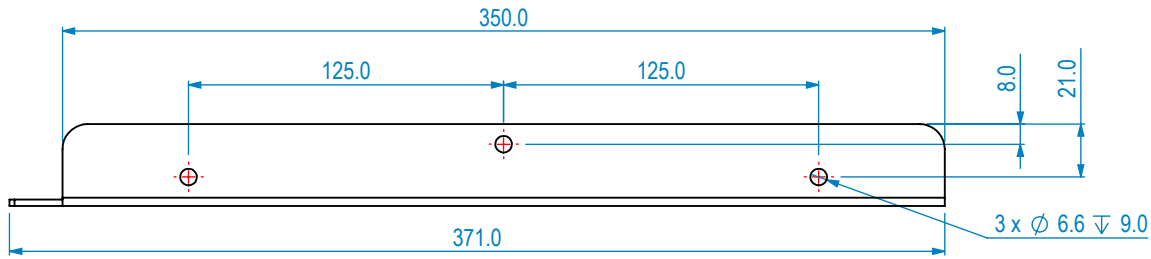
MATERIAL:  
 MFMDF - E1

FINISH:  
 DUHOSPAN HB405 - Edging to match

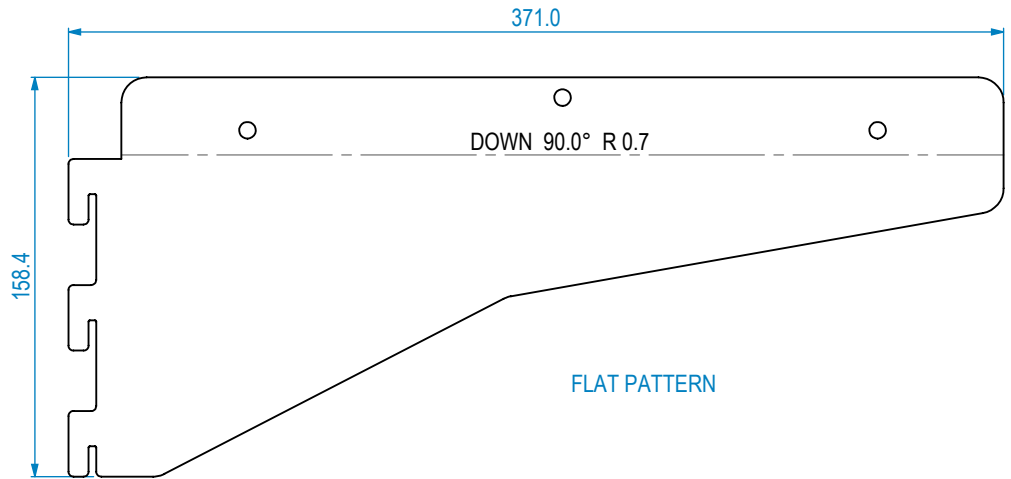
TITLE:  
 Shelf Sides

REV.	DESCRIPTION	DATE	NAME
A	INITIAL DRAWING RELEASE.		

SHEET SIZE: A4	SCALE: NTS	DRAWN: KLH	DATE: 19.06.2018	APPROX WEIGHT: 0.237 Kg	Sheet1 of 1	DWG NO. GDP-012347	Revision A
-------------------	---------------	---------------	---------------------	----------------------------	-------------	-----------------------	---------------



DETAIL A  
SCALE 2 : 3



NOTE: RH BRACKET GDP-012349 TO BE MIRROR IMAGE

**global display**  
Global Display  
Globe House  
84-88 High Street South  
Dunstable  
LU6 3HD  
United Kingdom

T: +44 (0)1582 676350  
E: info@global-display.co

www.global-display.co

Copyright Global Display Projects Limited 2016. This drawing and design is Copyright protected and remains the sole property of Global Display Projects Limited. No information contained within this document is to be copied, loaned, disclosed or communicated to any third party without written consent. This drawing conforms to UK BS8888.

Unless otherwise specified: Dimensions are in millimetres.  
Tolerances: Linear: '0' +/-1mm, '0.0' +/-0.5mm, '0.00' +/-0.05mm.  
Angular: '0' +/-0.5 degree, '0.0' +/-0.25 degree.

GENERAL TOLERANCES  
IN ACCORDANCE WITH  
ISO 2678-M



DO NOT SCALE DRAWING

MATERIAL:  
Mild Steel Q235

FINISH:  
EPC RAL9006

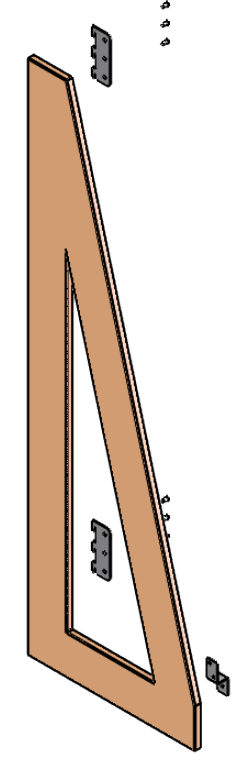
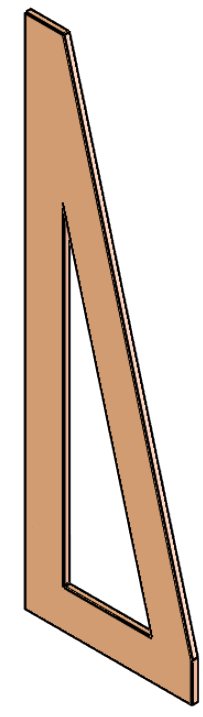
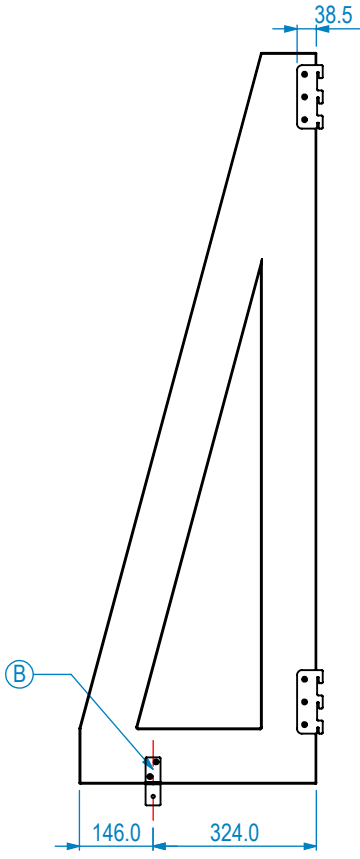
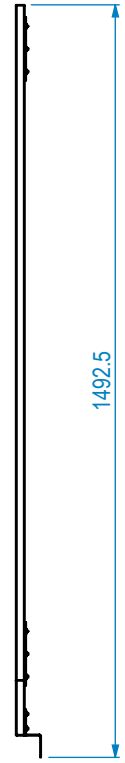
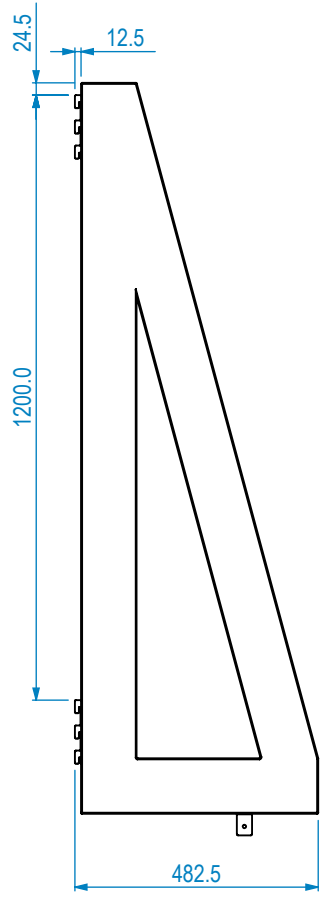
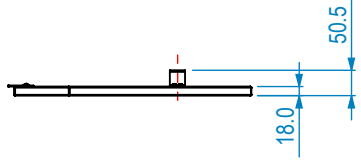
TITLE:  
Shelf Bracket LH

REV.	DESCRIPTION	DATE	NAME
A	INITIAL DRAWING RELEASE.		
REVISION TABLE			

SHEET SIZE: A4	SCALE: NTS	DRAWN: KLH	DATE: 19.06.2018	APPROX WEIGHT: 0.681 Kg	Sheet1 of 1	DWG NO. GDP-012348	Revision A
-------------------	---------------	---------------	---------------------	----------------------------	-------------	-----------------------	---------------



Item No.	Part No	Revision	Description	Material	Finish	Qty.
1	GDP-012352	A	Wooden Side Panel	MF MDF - E1	DUHOSPAN HB405 - Edging to match	1
2	GDP-012353	A	Wooden Side Panel Bracket	Mild Steel Q235	EPC RAL9006	2
3	GDP-012354	A	Wooden Side Foot Bracket	Mild Steel Q235	EPC RAL9006	1
4	P/P		No.8 x 9.5mm Pozi Pan Hd Self Tapping Screw (Type AB)			8



**NOTE: RH SIDE PANEL GDP-012351 TO BE MIRROR IMAGE**

**global display**  
 Global Display  
 Globe House  
 84-88 High Street South  
 Dunstable  
 LU6 3HD  
 United Kingdom

T: +44 (0)1582 676350  
 E: info@global-display.co

www.global-display.co

Copyright Global Display Projects Limited 2016. This drawing and design is Copyright protected and remains the sole property of Global Display Projects Limited. No information contained within this document is to be copied, loaned, disclosed or communicated to any third part without written consent. This drawing conforms to UK BS8888.

Unless otherwise specified: Dimensions are in millimetres.  
 Tolerances: Linear: '0' +/-1mm, '0.0' +/-0.5mm, '0.00' +/-0.05mm.  
 Angular: '0' +/-0.5 degree, '0.0' +/-0.25 degree.

GENERAL TOLERANCES  
 IN ACCORDANCE WITH  
 ISO 2678-M

DO NOT SCALE DRAWING

MATERIAL:  
**See Parts**

FINISH:  
**See Parts**

TITLE:  
**Side Panel Assembly LH**

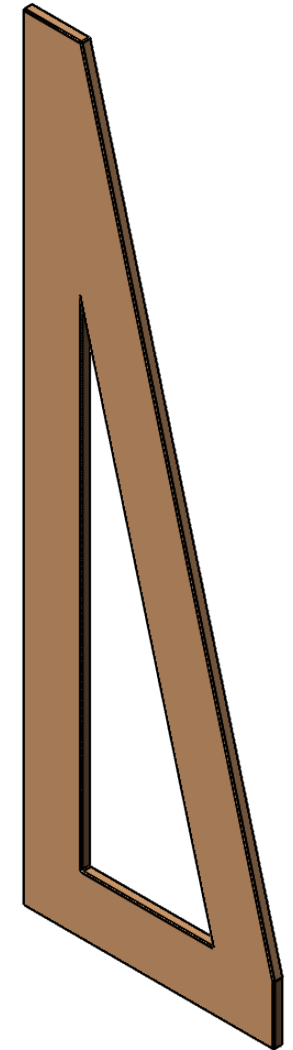
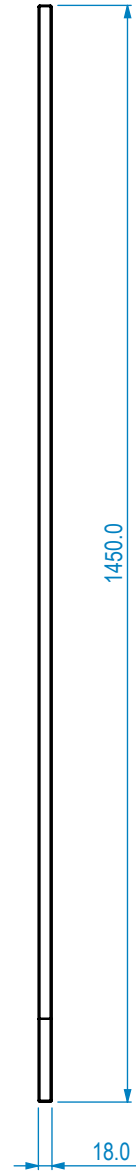
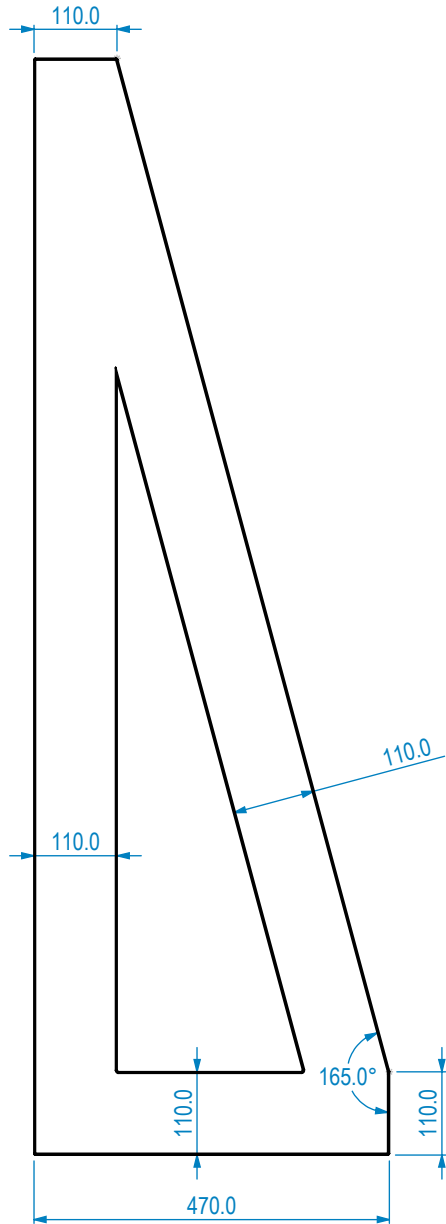
DWG NO.  
**GDP-012350**

Revision  
**B**

REV.	DESCRIPTION	DATE	NAME
B	POSITION OF THE BRACKET CHANGED	27/06/2018	DR
A	INITIAL DRAWING RELEASE.		

REVISION TABLE

SHEET SIZE: <b>A4</b>	SCALE: <b>NTS</b>	DRAWN: <b>KLH</b>	DATE: <b>19.06.2018</b>	APPROX WEIGHT: <b>4.442 Kg</b>	<b>Sheet 1 of 1</b>	DWG NO. <b>GDP-012350</b>	Revision <b>B</b>
-----------------------	-------------------	-------------------	-------------------------	--------------------------------	---------------------	---------------------------	-------------------



**global display**  
 Global Display  
 Globe House  
 84-88 High Street South  
 Dunstable  
 LU6 3HD  
 United Kingdom

T: +44 (0)1582 676350  
 E: info@global-display.co

[www.global-display.co](http://www.global-display.co)

Copyright Global Display Projects Limited 2016. This drawing and design is Copyright protected and remains the sole property of Global Display Projects Limited. No information contained within this document is to be copied, loaned, disclosed or communicated to any third party without written consent. This drawing conforms to UK BS8888.

Unless otherwise specified: Dimensions are in millimetres.  
 Tolerances:- Linear: '0' +/-1mm, '0.0' +/-0.5mm, '0.00' +/-0.05mm.  
 Angular: '0' +/-0.5 degree, '0.0' +/-0.25 degree.

GENERAL TOLERANCES  
 IN ACCORDANCE WITH  
 ISO 2678-M



DO NOT SCALE DRAWING

MATERIAL:  
 MF MDF - E1

FINISH:  
 DUHOSPAN HB405 - Edging to match

TITLE:  
 Wooden Side Panel

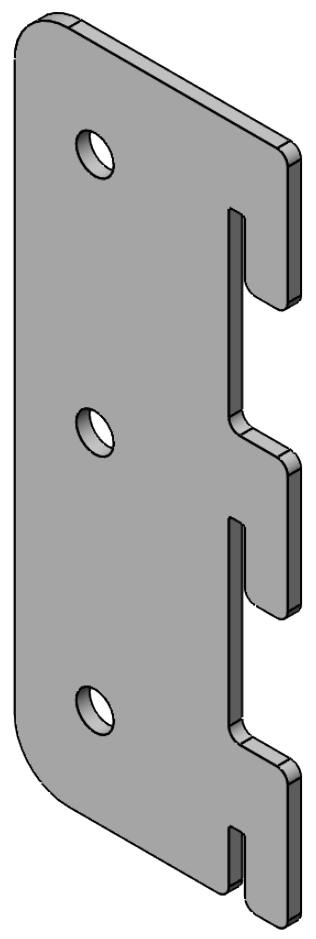
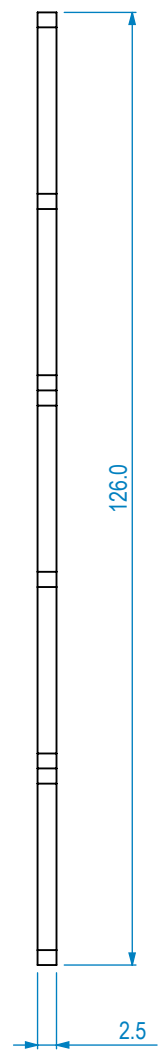
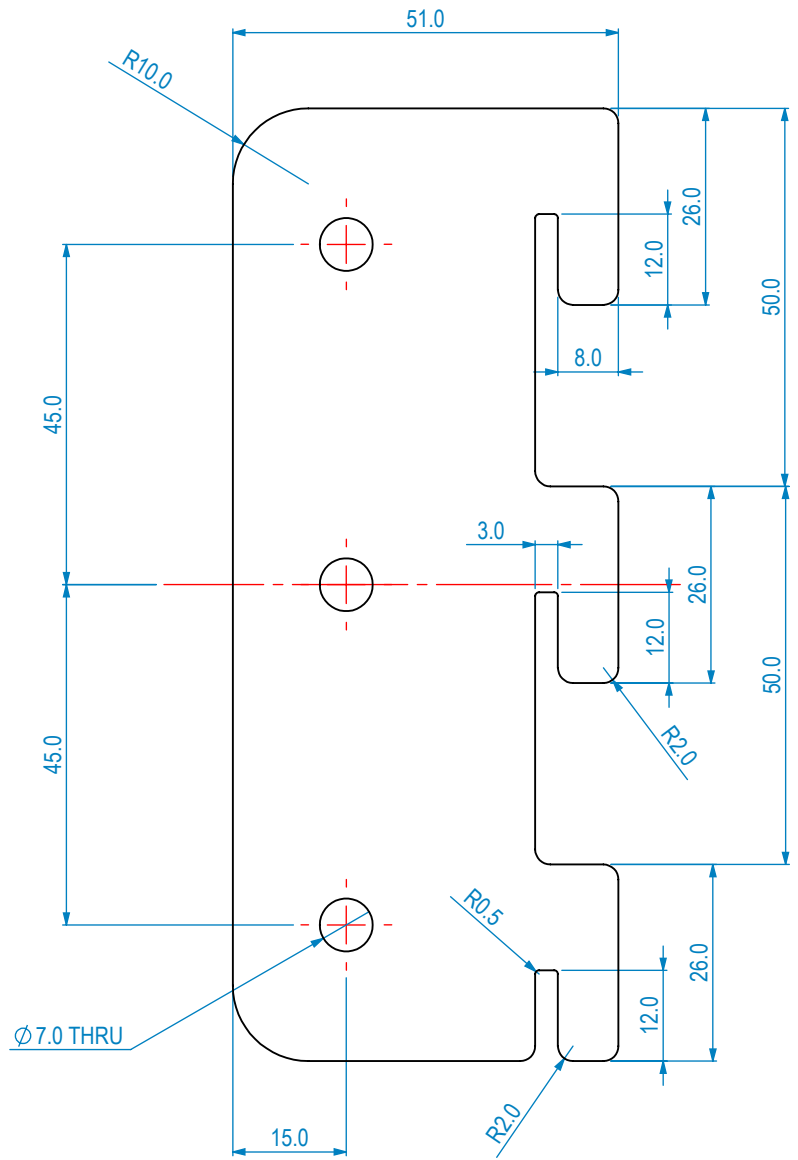
DWG NO.  
 GDP-012352

REV.	DESCRIPTION	DATE	NAME
A	INITIAL DRAWING RELEASE.		
REVISION TABLE			

SHEET SIZE:	SCALE:	DRAWN:	DATE:	APPROX WEIGHT:
A4	NTS	KLH	19.06.2018	4.121 Kg

Sheet1 of 1

Revision  
 A



**global display**  
 Global Display  
 Globe House  
 84-88 High Street South  
 Dunstable  
 LU6 3HD  
 United Kingdom

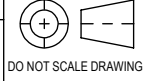
T: +44 (0)1582 676350  
 E: info@global-display.co

[www.global-display.co](http://www.global-display.co)

Copyright Global Display Projects Limited 2016. This drawing and design is Copyright protected and remains the sole property of Global Display Projects Limited. No information contained within this document is to be copied, loaned, disclosed or communicated to any third part without written consent. This drawing conforms to UK BS8888.

Unless otherwise specified: Dimensions are in millimetres.  
 Tolerances: Linear: '0' +/-1mm, '0.0' +/-0.5mm, '0.00' +/-0.05mm.  
 Angular: '0' +/-0.5 degree, '0.0' +/-0.25 degree.

GENERAL TOLERANCES  
 IN ACCORDANCE WITH  
 ISO 2678-M



DO NOT SCALE DRAWING

MATERIAL:  
 Mild Steel Q235

FINISH:  
 EPC RAL9006

TITLE:  
 Wooden Side Panel Bracket

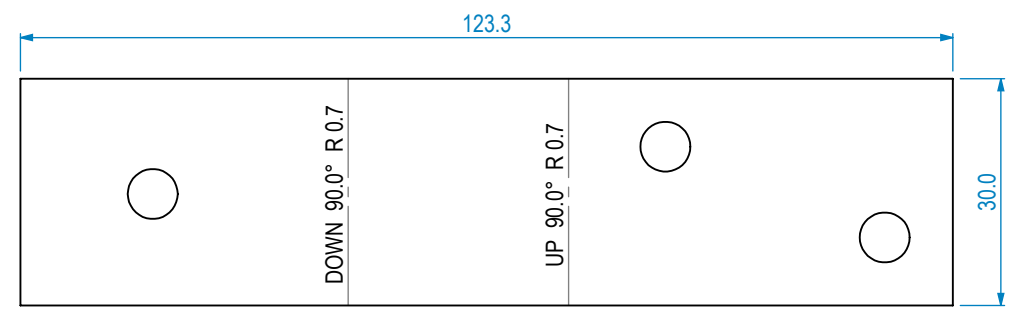
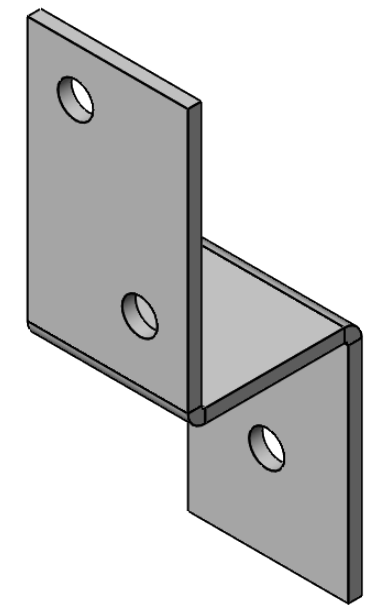
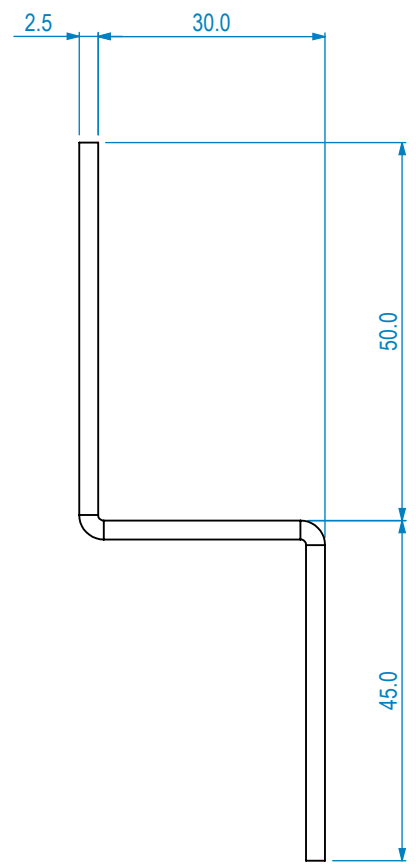
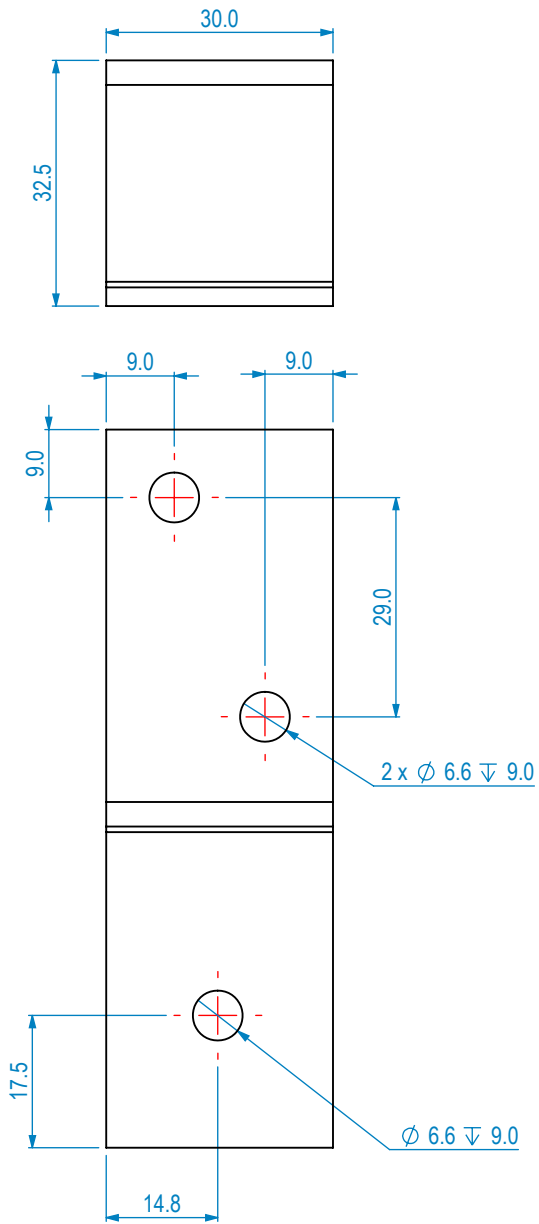
DWG NO.  
 GDP-012353

REV.	DESCRIPTION	DATE	NAME
A	INITIAL DRAWING RELEASE.		
REVISION TABLE			

SHEET SIZE:	SCALE:	DRAWN:	DATE:	APPROX WEIGHT:
A4	NTS	KLH	19.06.2018	0.110 Kg

Sheet1 of 1

Revision  
 A



FLAT PATTERN

**global display**  
 Global Display  
 Globe House  
 84-88 High Street South  
 Dunstable  
 LU6 3HD  
 United Kingdom

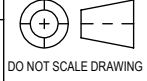
T: +44 (0)1582 676350  
 E: info@global-display.co

www.global-display.co

Copyright Global Display Projects Limited 2016. This drawing and design is Copyright protected and remains the sole property of Global Display Projects Limited. No information contained within this document is to be copied, loaned, disclosed or communicated to any third part without written consent. This drawing conforms to UK BS8888.

Unless otherwise specified: Dimensions are in millimetres.  
 Tolerances: Linear: '0' +/-1mm, '0.0' +/-0.5mm, '0.00' +/-0.05mm.  
 Angular: '0' +/-0.5 degree, '0.0' +/-0.25 degree.

GENERAL TOLERANCES  
 IN ACCORDANCE WITH  
 ISO 2678-M



DO NOT SCALE DRAWING

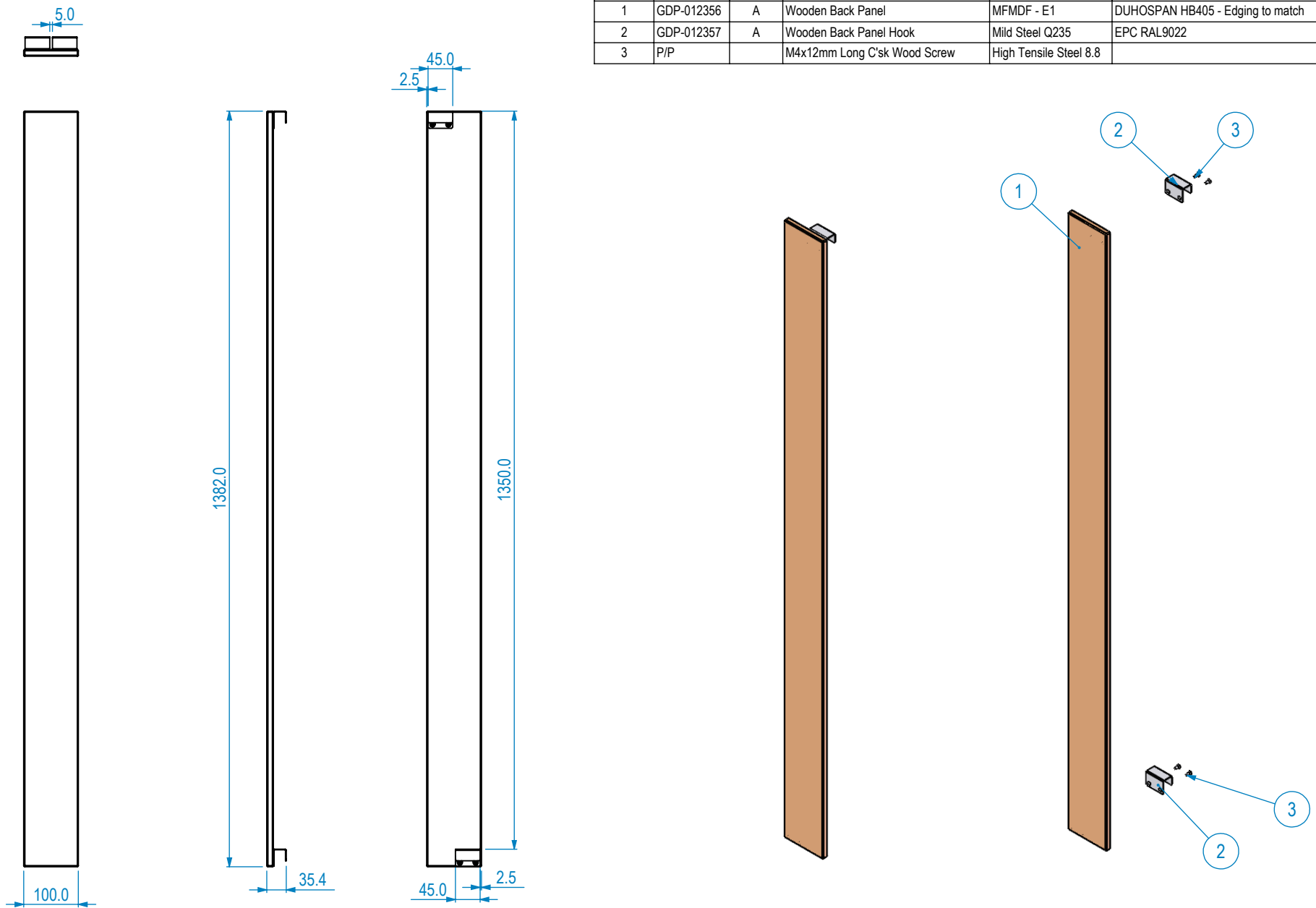
MATERIAL:  
**Mild Steel Q235**  
 FINISH:  
**EPC RAL9006**  
 TITLE:  
**Wooden Side Foot Bracket**

A	INITIAL DRAWING RELEASE.		
REV.	DESCRIPTION	DATE	NAME
REVISION TABLE			

SHEET SIZE: <b>A4</b>	SCALE: <b>NTS</b>	DRAWN: <b>KLH</b>	DATE: <b>19.06.2018</b>	APPROX WEIGHT: <b>0.070 Kg</b>	<b>Sheet1 of 1</b>	DWG NO. <b>GDP-012354</b>	Revision <b>A</b>
--------------------------	----------------------	----------------------	----------------------------	-----------------------------------	--------------------	------------------------------	----------------------

Item No.	Part No	Revision	Description	Material	Finish	Qty.
1	GDP-012356	A	Wooden Back Panel	MFMDf - E1	DUHOSPAN HB405 - Edging to match	1
2	GDP-012357	A	Wooden Back Panel Hook	Mild Steel Q235	EPC RAL9022	2
3	P/P		M4x12mm Long C'sk Wood Screw	High Tensile Steel 8.8		4

A  
B  
C  
D



**global display**  
 Global Display  
 Globe House  
 84-88 High Street South  
 Dunstable  
 LU6 3HD  
 United Kingdom

T: +44 (0)1582 676350  
 E: info@global-display.co

www.global-display.co

Copyright Global Display Projects Limited 2016. This drawing and design is Copyright protected and remains the sole property of Global Display Projects Limited. No information contained within this document is to be copied, loaned, disclosed or communicated to any third party without written consent. This drawing conforms to UK BS8888.

Unless otherwise specified: Dimensions are in millimetres.  
 Tolerances- Linear: '0' +/-1mm, '0.0' +/-0.5mm, '0.00' +/-0.05mm.  
 Angular: '0' +/-0.5 degree, '0.0' +/-0.25 degree.

GENERAL TOLERANCES  
 IN ACCORDANCE WITH  
 ISO 2678-M

DO NOT SCALE DRAWING

MATERIAL:  
**See Parts**

FINISH:  
**See Parts**

TITLE:  
**Wooden Back Panel Assembly**

DWG NO.  
**GDP-012355**

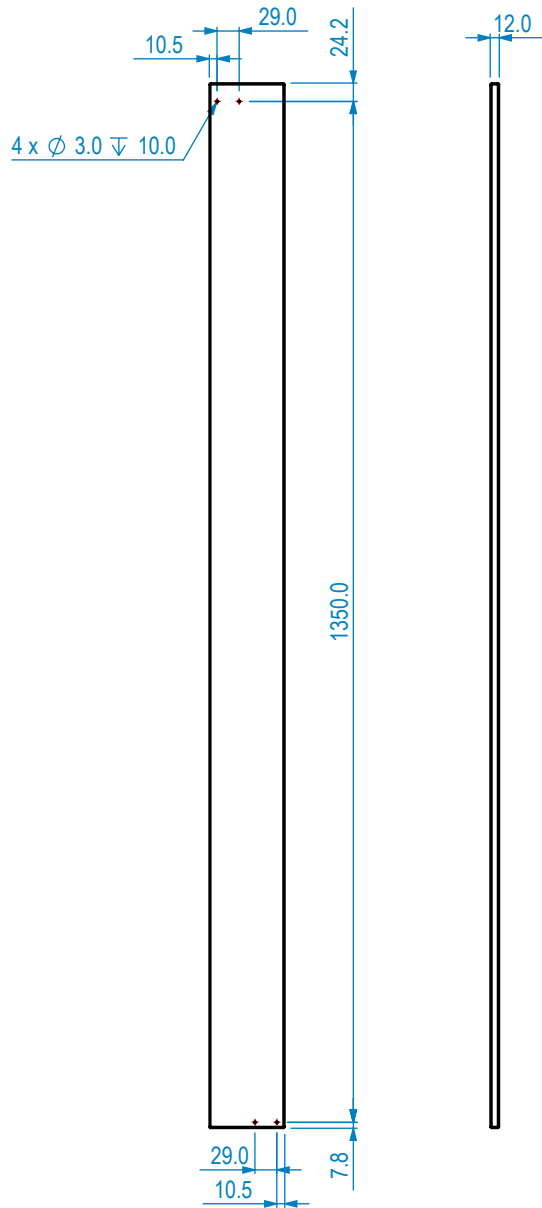
Revision  
**A**

REV.	DESCRIPTION	DATE	NAME
A	INITIAL DRAWING RELEASE.		

REVISION TABLE

SHEET SIZE: <b>A4</b>	SCALE: <b>NTS</b>	DRAWN: <b>KLH</b>	DATE: <b>19.06.2018</b>	APPROX WEIGHT: <b>1.222 Kg</b>	<b>Sheet 1 of 1</b>	DWG NO. <b>GDP-012355</b>	Revision <b>A</b>
-----------------------	-------------------	-------------------	-------------------------	--------------------------------	---------------------	---------------------------	-------------------

1 2 3 4 5 6



**global display**  
 Global Display  
 Globe House  
 84-88 High Street South  
 Dunstable  
 LU6 3HD  
 United Kingdom

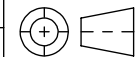
T: +44 (0)1582 676350  
 E: info@global-display.co

[www.global-display.co](http://www.global-display.co)

Copyright Global Display Projects Limited 2016. This drawing and design is Copyright protected and remains the sole property of Global Display Projects Limited. No information contained within this document is to be copied, loaned, disclosed or communicated to any third party without written consent. This drawing conforms to UK BS8888.

Unless otherwise specified: Dimensions are in millimetres.  
 Tolerances:- Linear: '0' +/-1mm, '0.0' +/-0.5mm, '0.00' +/-0.05mm.  
 Angular: '0' +/-0.5 degree, '0.0' +/-0.25 degree.

GENERAL TOLERANCES  
 IN ACCORDANCE WITH  
 ISO 2678-M



DO NOT SCALE DRAWING

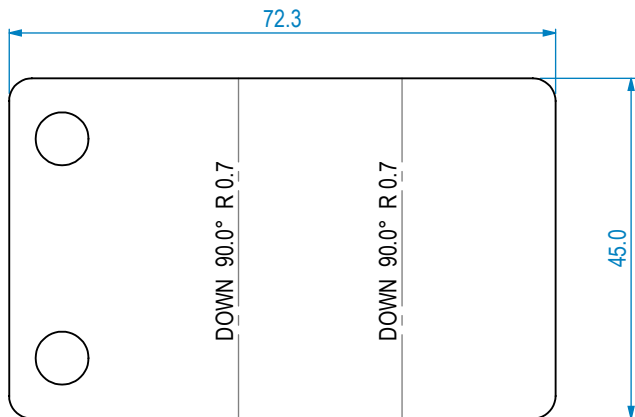
MATERIAL:  
**MF MDF - E1**

FINISH:  
**DUHOSPAN HB405 - Edging to match**

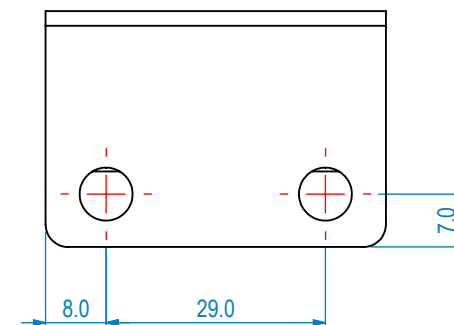
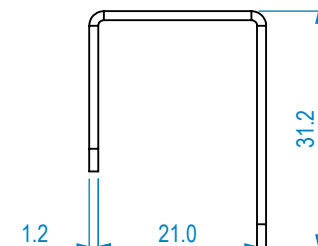
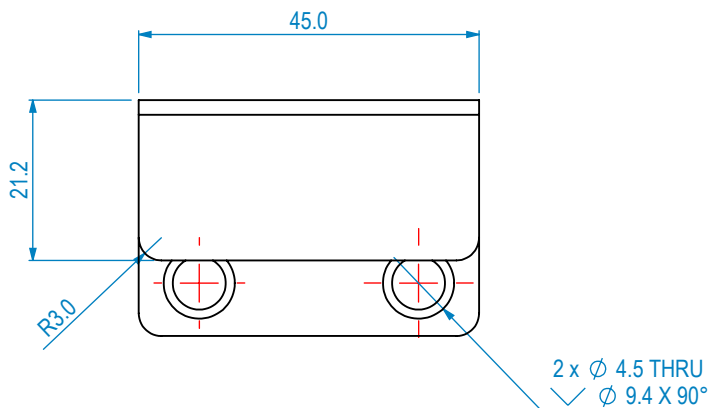
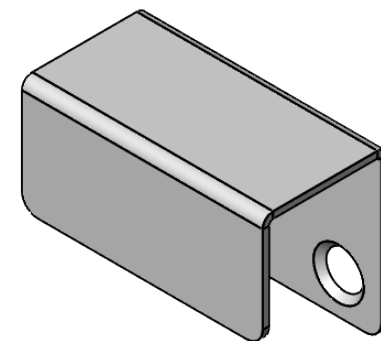
TITLE:  
**Wooden Back Panel**

REV.	DESCRIPTION	DATE	NAME
A	INITIAL DRAWING RELEASE.		

SHEET SIZE: <b>A4</b>	SCALE: <b>NTS</b>	DRAWN: <b>KLH</b>	DATE: <b>19.06.2018</b>	APPROX WEIGHT: <b>1.157 Kg</b>	<b>Sheet1 of 1</b>	DWG NO. <b>GDP-012356</b>	Revision <b>A</b>
--------------------------	----------------------	----------------------	----------------------------	-----------------------------------	--------------------	------------------------------	----------------------



FLAT PATTERN



**global display**  
 Global Display  
 Globe House  
 84-88 High Street South  
 Dunstable  
 LU6 3HD  
 United Kingdom

T: +44 (0)1582 676350  
 E: info@global-display.co

www.global-display.co

Copyright Global Display Projects Limited 2016. This drawing and design is Copyright protected and remains the sole property of Global Display Projects Limited. No information contained within this document is to be copied, loaned, disclosed or communicated to any third part without written consent. This drawing conforms to UK BS8888.

Unless otherwise specified: Dimensions are in millimetres.  
 Tolerances- Linear: '0' +/-1mm, '0.0' +/-0.5mm, '0.00' +/-0.05mm.  
 Angular: '0' +/-0.5 degree, '0.0' +/-0.25 degree.

GENERAL TOLERANCES  
 IN ACCORDANCE WITH  
 ISO 2678-M



DO NOT SCALE DRAWING

MATERIAL:  
 Mild Steel Q235

FINISH:  
 EPC RAL9022

TITLE:  
 Wooden Back Panel Hook

DWG NO.  
 GDP-012357

REV.	DESCRIPTION	DATE	NAME
A	INITIAL DRAWING RELEASE.		
REVISION TABLE			

SHEET SIZE:	SCALE:	DRAWN:	DATE:	APPROX WEIGHT:
A4	NTS	KLH	19.06.2018	0.029 Kg

Sheet1 of 1

Revision	A
----------	---